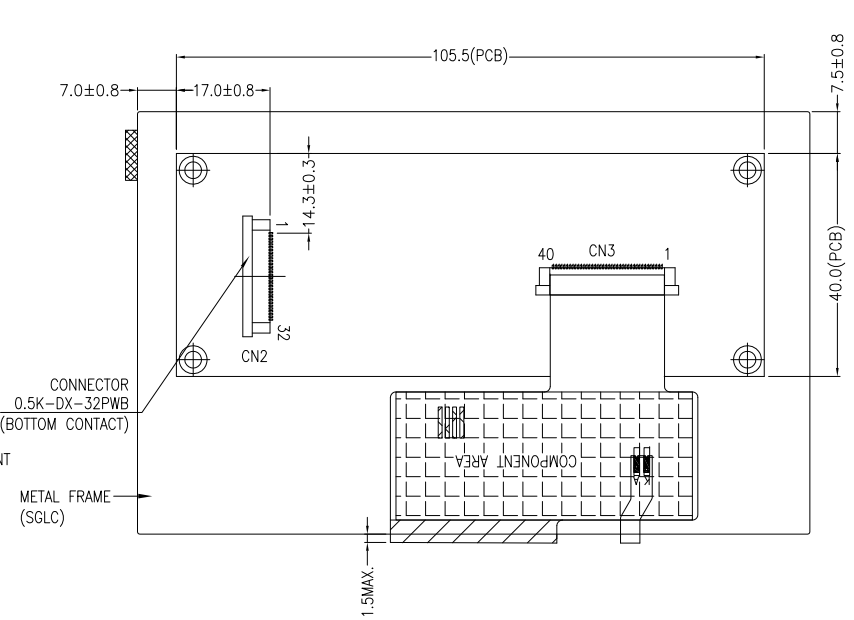
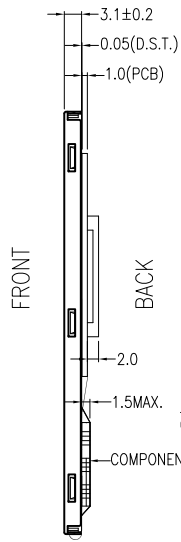
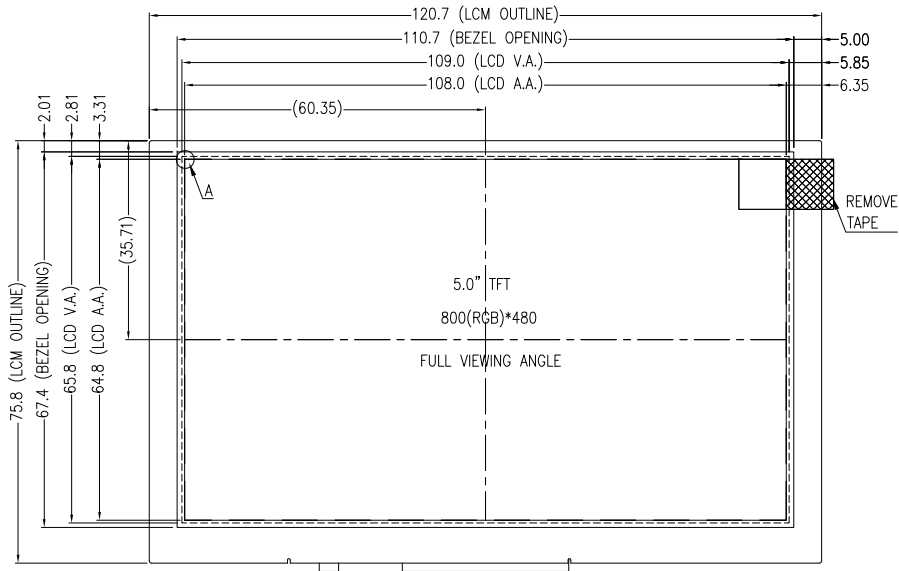
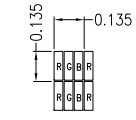


NO MECHANICAL HOUSING TO HOLD THE TFT AND THE PCB ON THIS PRODUCT, SO THE END UNIT'S MECHANICAL DESIGN MUST INCLUDE A HOUSING FOR PREVENTING THE SEPARATION OF THE TFT AND THE PCB.

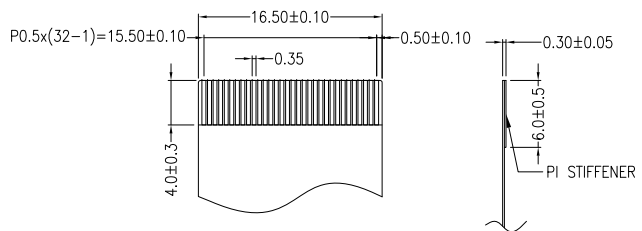


PIN ASSIGNMENT FOR CN2	
PIN	SYMBOL
1	GND
2	VCC
3	BL_E
4	RS
5	/WR
6	/RD
7	DB0
8	DB1
9	DB2
10	DB3
11	DB4
12	DB5
13	DB6
14	DB7
15	DB8
16	DB9
17	DB10
18	DB11
19	DB12
20	DB13
21	DB14
22	DB15
23	VCC
24	GND
25	/CS
26	/RST
27	TE
28	NC
29	NC
30	NC
31	NC
32	DISP



DETAIL A (SCALE 40:1)

CN2 CONNECTOR MATED FPC/FFC STYLE (SCALE 2:1)



NOTES:

1. DISPLAY TYPE: TFT, TRANSMISSIVE, NORMALLY BLACK
2. OPERATING VOLTAGE: VCC=3.3V (TYP.)
3. VIEWING DIRECTION: FULL VIEWING ANGLE
4. DRIVER IC: SSD1963
5. OPERATING TEMP.: -30°C ~ 85°C
6. STORAGE TEMP.: -30°C ~ 85°C
7. LED BACKLIGHT: WHITE LED
BUILT-IN BACKLIGHT DRIVER: VCC=3.3V
8. SURFACE LUMINANCE: 600CD/M² (TYP.)
9. TOP POLARIZER SURFACE TREATMENT: ANTI-GLARE
10. GENERAL TOLERANCE: ±0.3MM
11. ROHS COMPLIANT

MULTI-INNO TECHNOLOGY CO., LTD.

DRAWN BY:	RITA	2023.05.05		MODULE P/N:
CHECKED BY:			SCALE : 1/1	MI0500AHT-3-B2
APPROVED BY:			UNIT: mm	DESCRIPTION:
VER.	01	2023.05.05	SHEET No.: 1/1	TFT + PCBA MODULE

01	FIRST ISSUE	RITA	2023.05.05
VER.	REVISED DESCRIPTION	REVISER	DATE